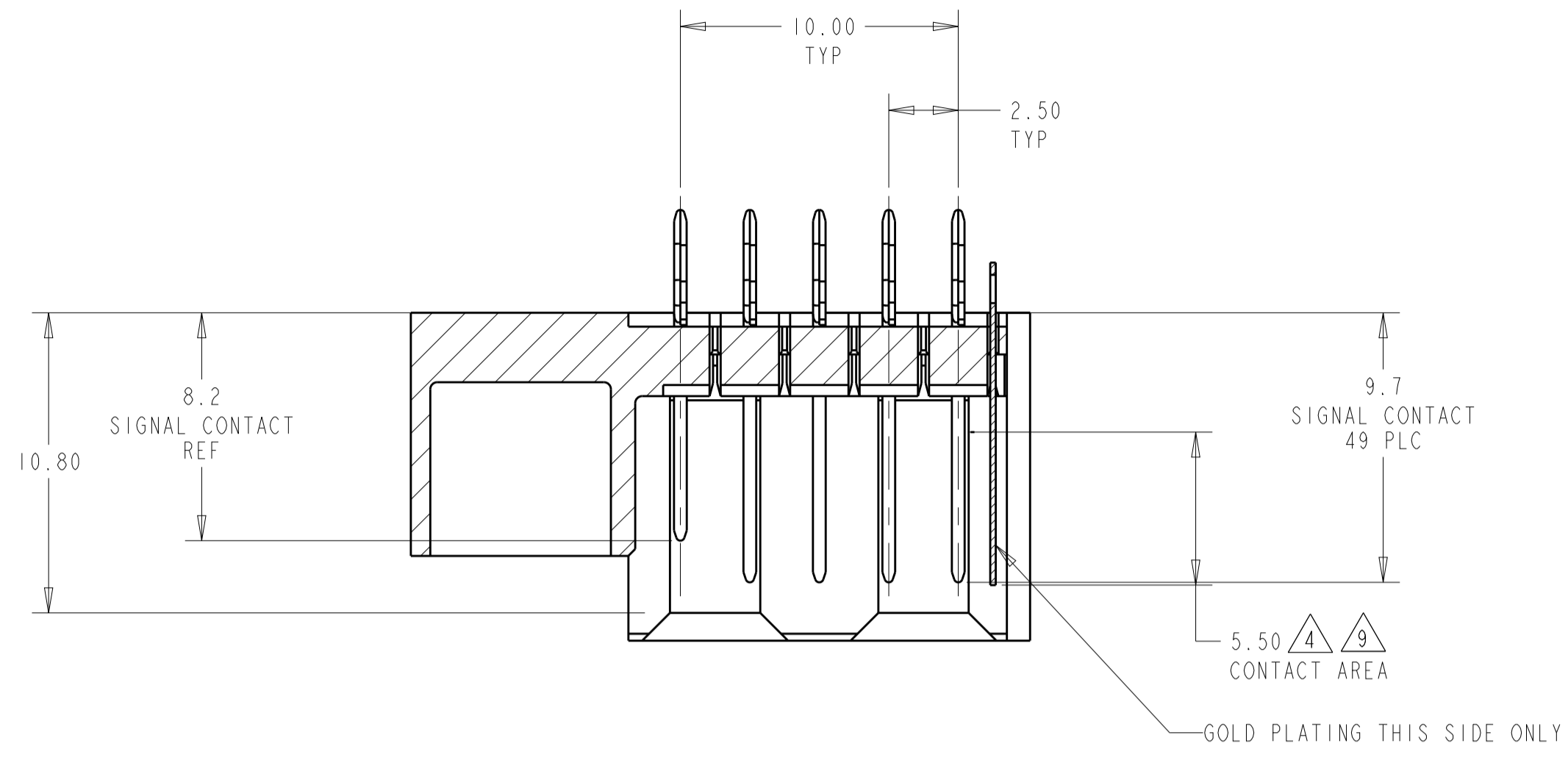
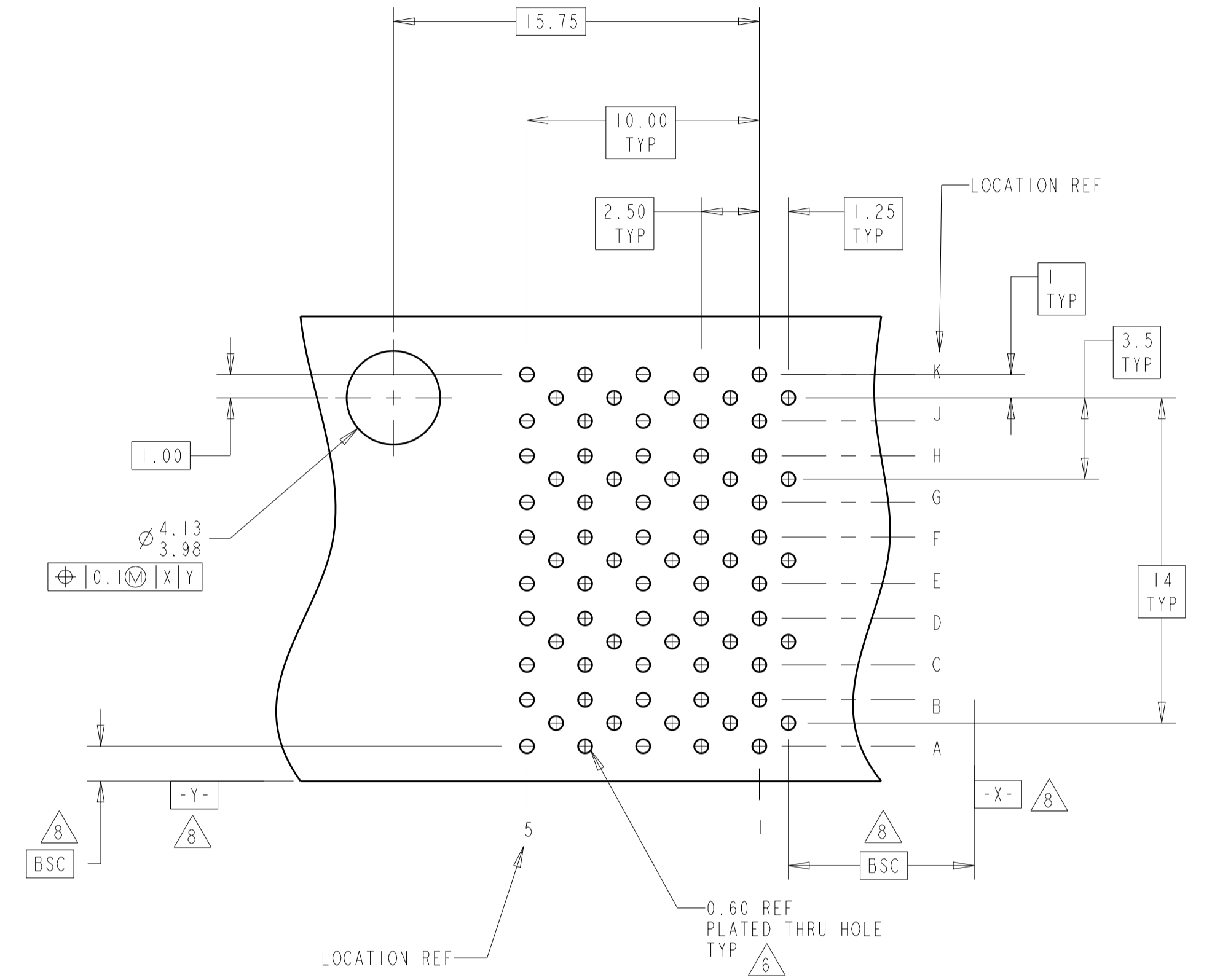
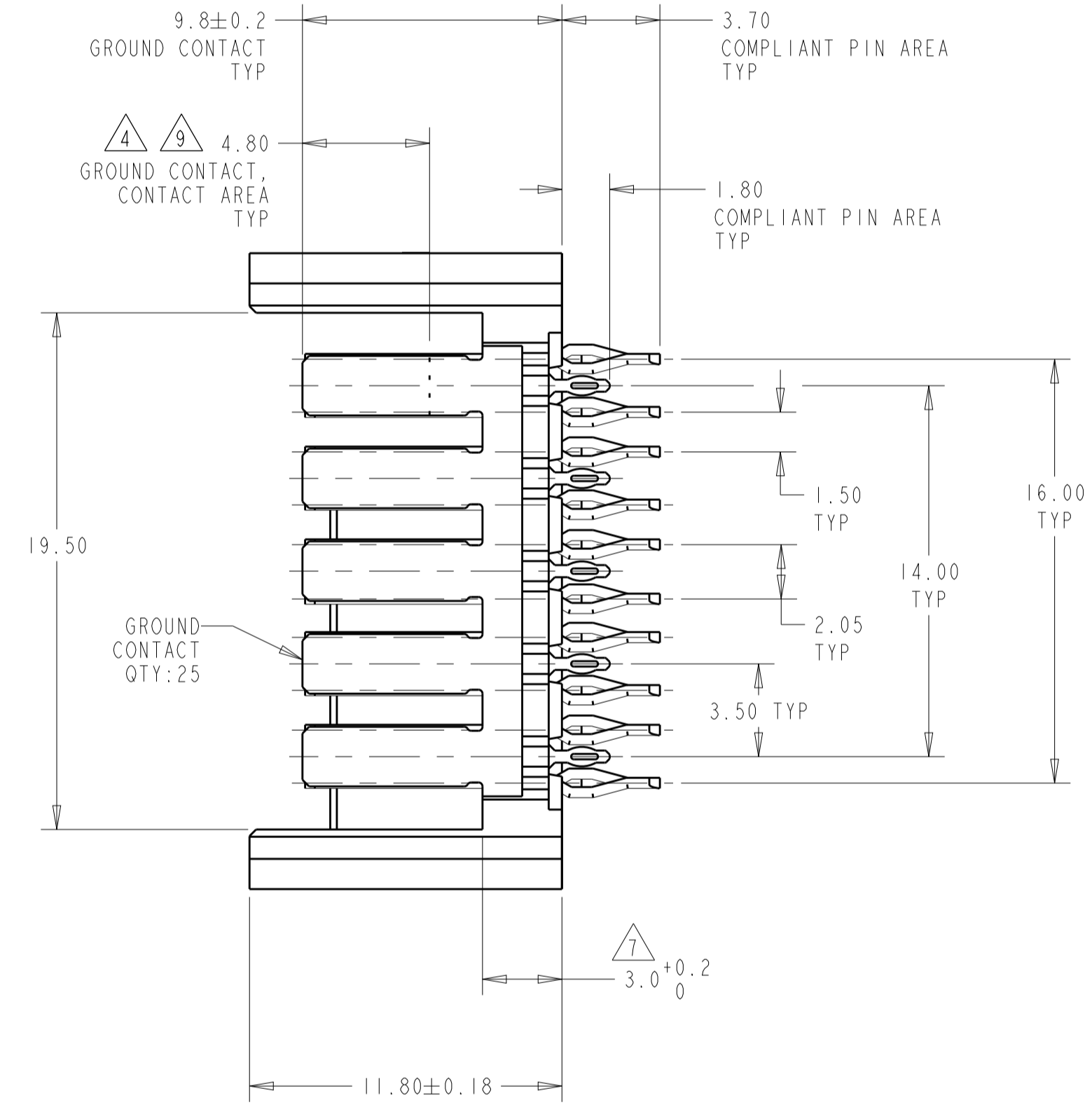
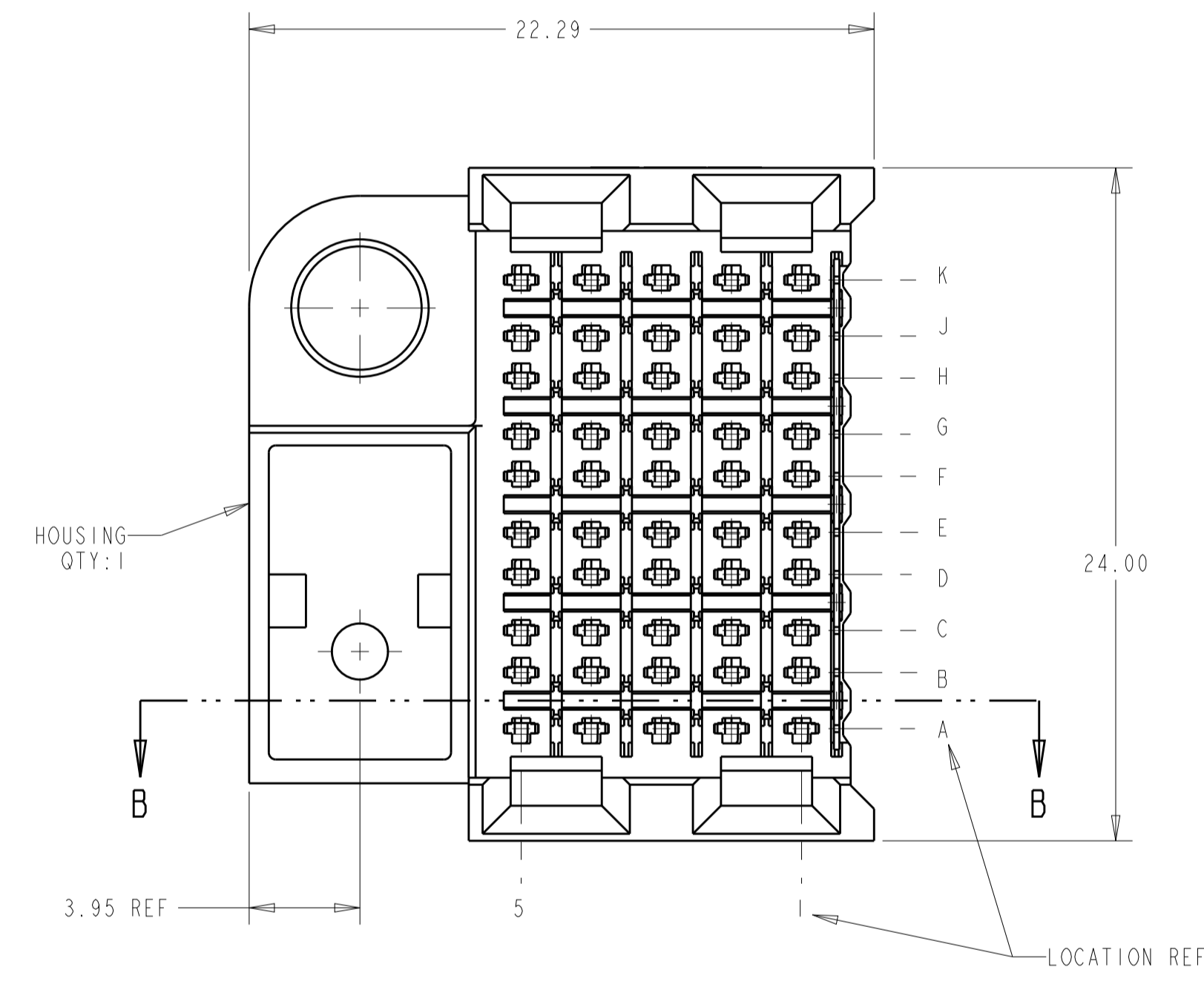


LOC		DIST		REVISIONS			
P	LTN	DESCRIPTION	DATE	DWN	APVD		
C		REVISED PER ECO-12-006972	23AUG2012	KH	JE		

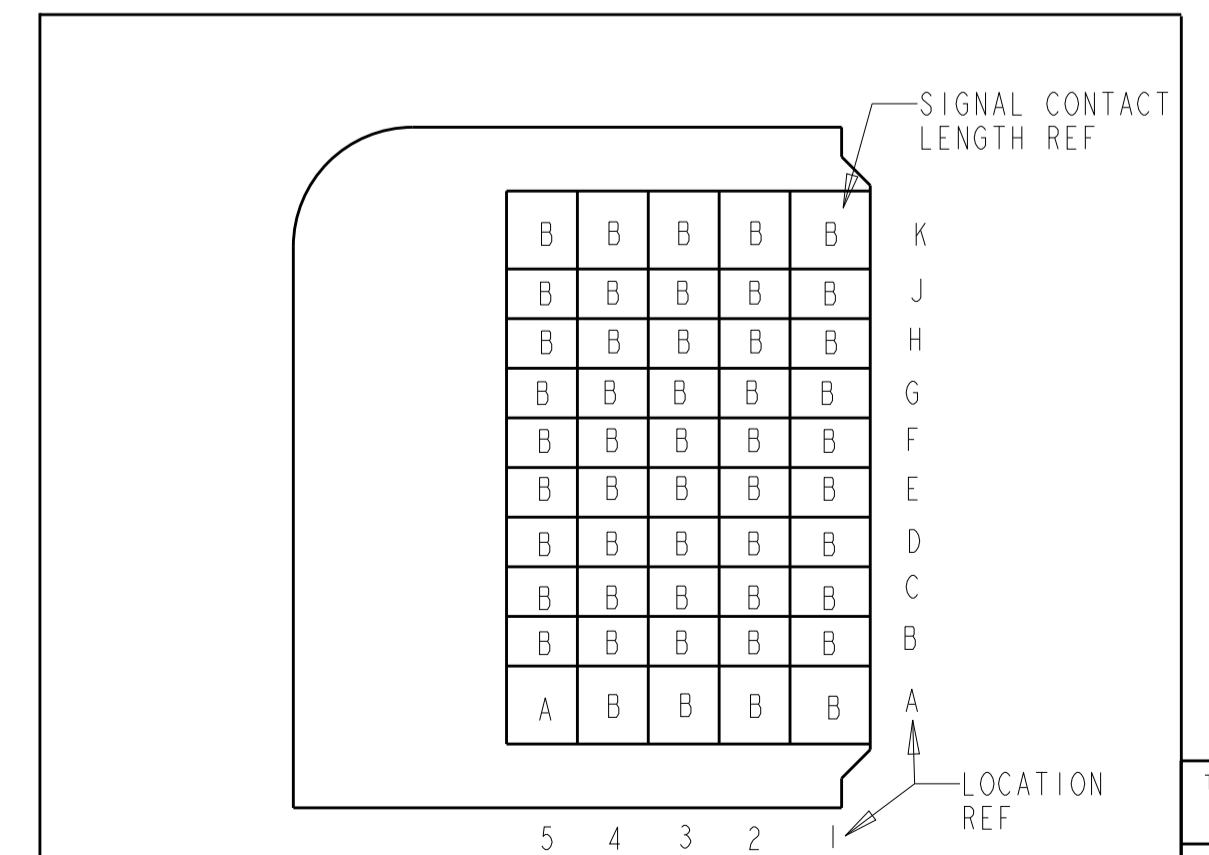
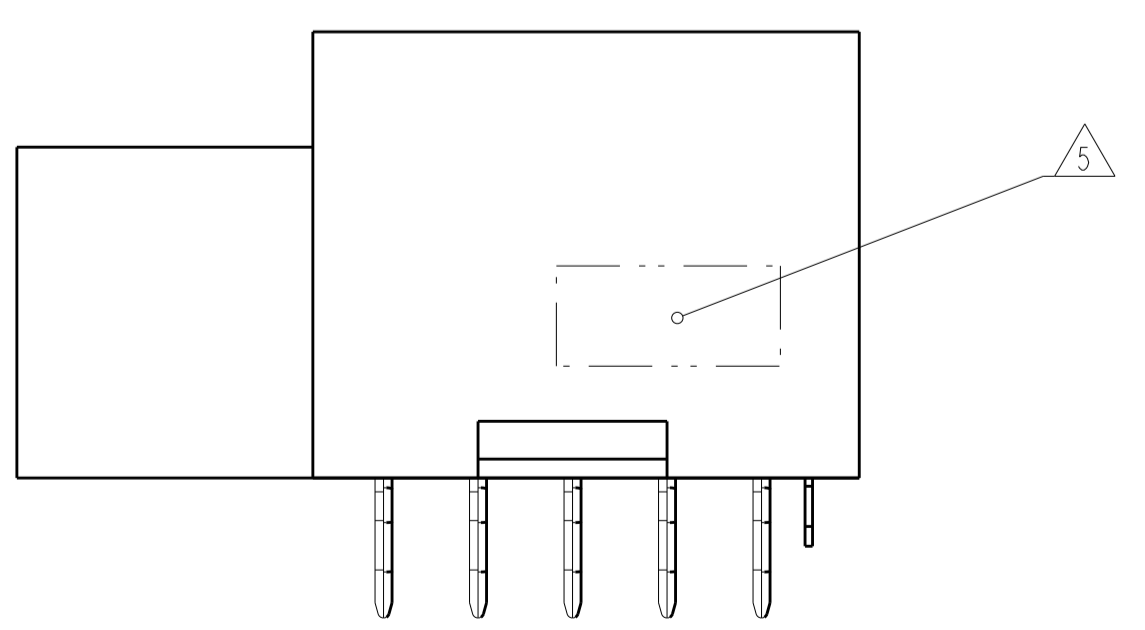
- 2 PHOSPHOR BRONZE
- 3 LCP, UL94V-0
- 4 FINISH:
CONTACT MATING AREA MEETS THE PERFORMANCE REQUIREMENTS OF
TE CONNECTIVITY PRODUCT SPECIFICATION 108-1957; BASED ON
TELCORDIA GR-1217-CORE; APPLICATIONS IN UNCONTROLLED ENVIRONMENTS.
COMPLIANT PIN AREA: 0.5µm MIN MATTE TIN OVER BASE PLATING.
- 5 CONNECTOR MARKED WITH PART NUMBER AND DATE CODE
- 6 REFERENCE APPLICATION SPEC 114-13020 FOR RECOMMENDED
PLATED THRU HOLE DIAMETER AND PLATING THICKNESS.
- 7 APPLICATION SEATING HEIGHT TO PRINTED CIRCUIT BOARD
- 8 DATUMS AND BASIC DIMENSIONS ESTABLISHED BY CUSTOMER
- 9 CONTACT AREA LUBRICATED WITH BELLCORE APPROVED LUBRICANT
TECHNICAL REFERENCE: GR-1217-CORE, ISSUE 1, NOVEMBER 1995



SECTION B-B



RECOMMENDED
PRINTED CIRCUIT BOARD
LAYOUT
COMPONENT SIDE OF PRINTED CIRCUIT BOARD



A = 8.2 REF SIGNAL CONTACT LENGTH
 B = 9.7 REF SIGNAL CONTACT LENGTH

ROW A: 1-4	ROW A: 5	5120752-1
ROWS B-K: 1-5		
PIN LOCATION	PIN LOCATION	PART NUMBER
SIGNAL CONTACT TYPE B QTY: 49	SIGNAL CONTACT TYPE A QTY: 1	

THIS DRAWING IS A CONTROLLED DOCUMENT.

DIMENSIONS: mm

TOLERANCES UNLESS OTHERWISE SPECIFIED:

0 PLC	±
1 PLC	±0.13
2 PLC	±0.05
3 PLC	±
4 PLC	±
ANGLES	±

MATERIAL HOUSING: 3 CONTACTS: 2 SIGNAL CONTACT: 4 FINISH: 4

THIS DRAWING IS A CONTROLLED DOCUMENT. DWN: B. CARBO 07DEC04 CHK: R. PATTERSON 07DEC04 APVD: R. PATTERSON 07DEC04 NAME: PRODUCT SPEC APPLICATION SPEC WEIGHT: SIZE: A1 CAGE CODE: 00779 DRAWING NO: 5120752 RESTRICTED TO: CUSTOMER DRAWING SCALE: 5:1 SHEET: 1 OF 1 REV: C

STE TE Connectivity

HEADER ASSEMBLY, 50 POSITION, SEQUENCED, RIGHT HAND, 10 ROW, Z-PACK HS3